



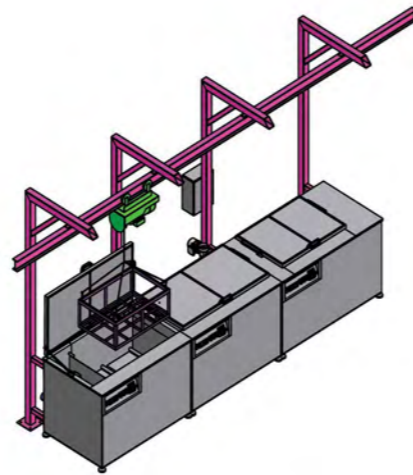
**Cleaning line for heavy workpieces with a length up to 3 linear metres, to be operated in auto or manual mode.**

**Cleaning line components:**

- U-1000 type ultrasonic cleaning station
- 2 x W-1000 type rinsing chambers
- pumping system that collects contaminants
- bath levelling system (cascade)
- automatic handling system

**Basket handling unit  
- semi-automatic unit**

- semi-automatic unit
- U-1000 type ultrasonic cleaning station
- rinsing chamber
- chamber-type dryer
- handling system w/ electric telpher



**The U-1000 type cleaning stations are designed for operation under heavy-duty conditions:**

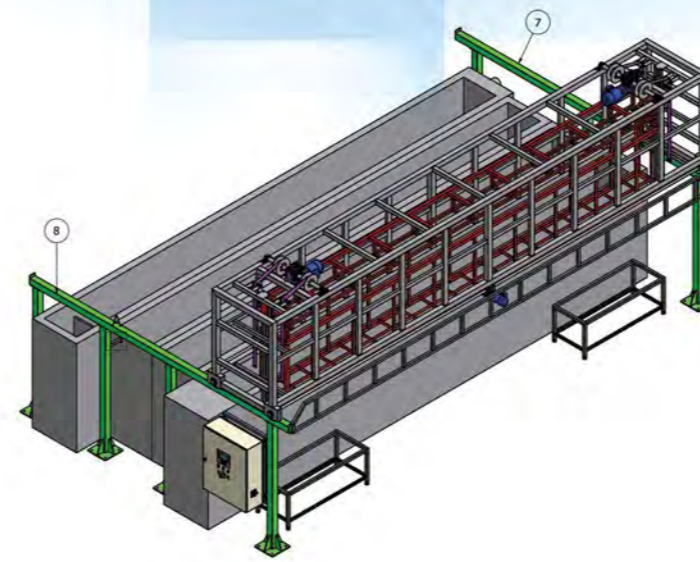
- humidity
- dustiness
- resistant to chemical agents



**Line designed for surface preparation of large workpieces  
Cleaning, phosphate treatment, rinsing, drying.**

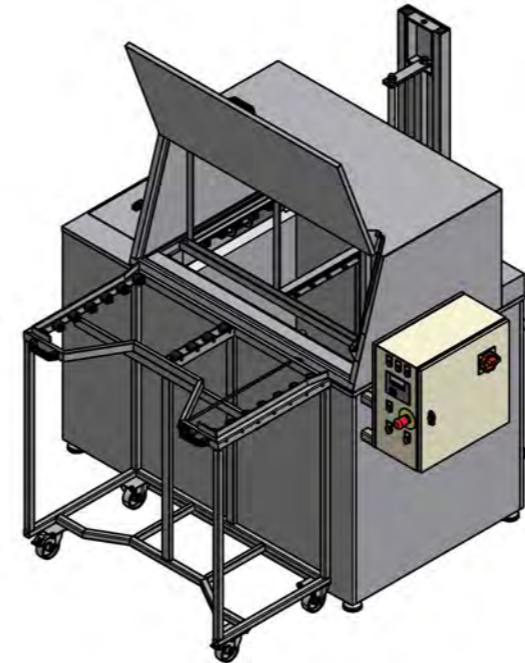
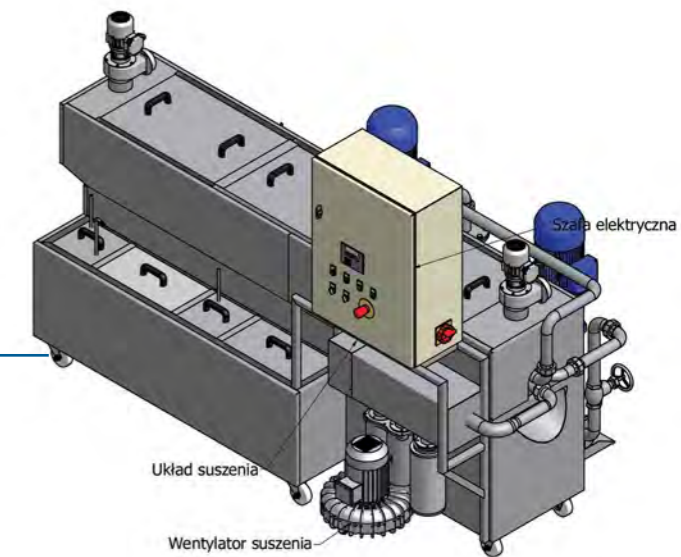
**Cleaning line components:**

- U-1000 type ultrasonic cleaning station
- phosphate treatment tub w/ bath activation
- 2 rinsing chambers
- dryer
- tub manipulator



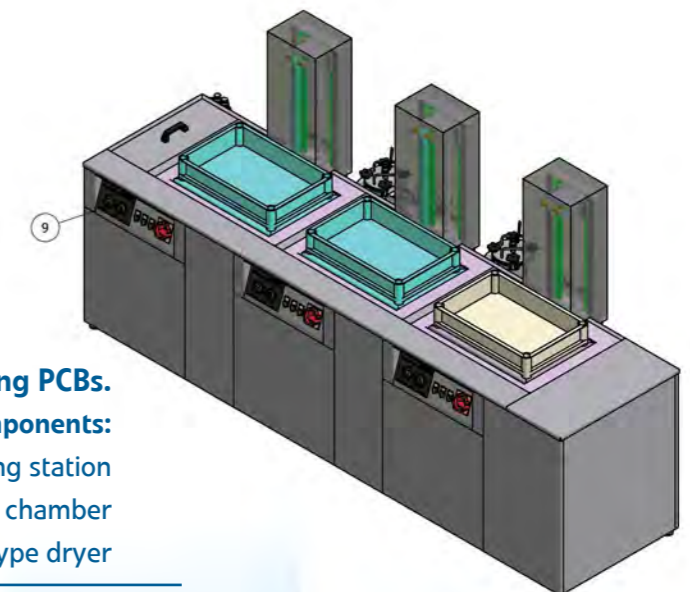
**ULTRON R-3 drum-type ultrasonic cleaning station**

Designed for cleaning, rinsing and drying large quantities of small workpieces.



**U-1000 type ultrasonic cleaning station w/ a pneumatic lifting-lowering system.**

Tunnel-structured enclosure.



**Line for cleaning and drying PCBs.**

**Cleaning line components:**

- U-1000 type ultrasonic cleaning station
- rinsing chamber
- chamber-type dryer